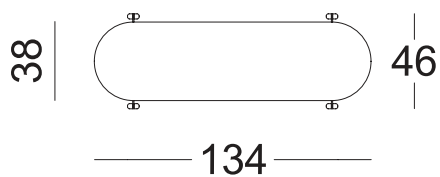
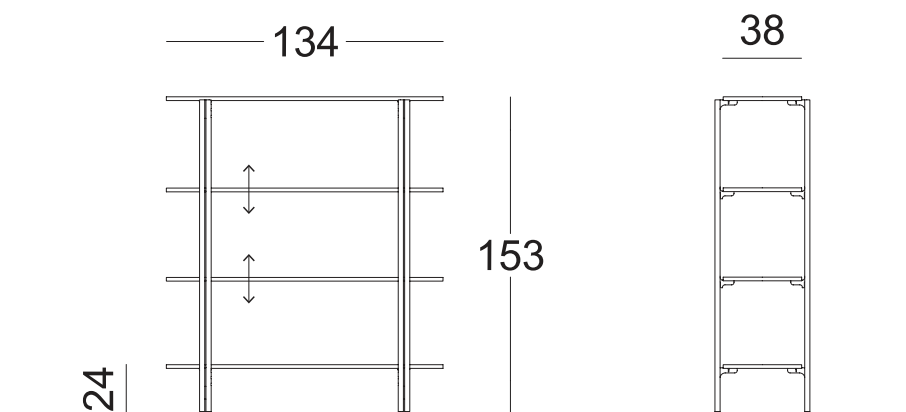


Mensole in nobilitato o multistrato verniciato / gambe in legno / connessioni mensole-gambe e piedini in metallo
Shelves in chipboard or painted plywood / wood legs / joints shelf-leg and feet in metal



due mensole centrali
riposizionabili (comprese)
two middle shelves
adjustable (included)